

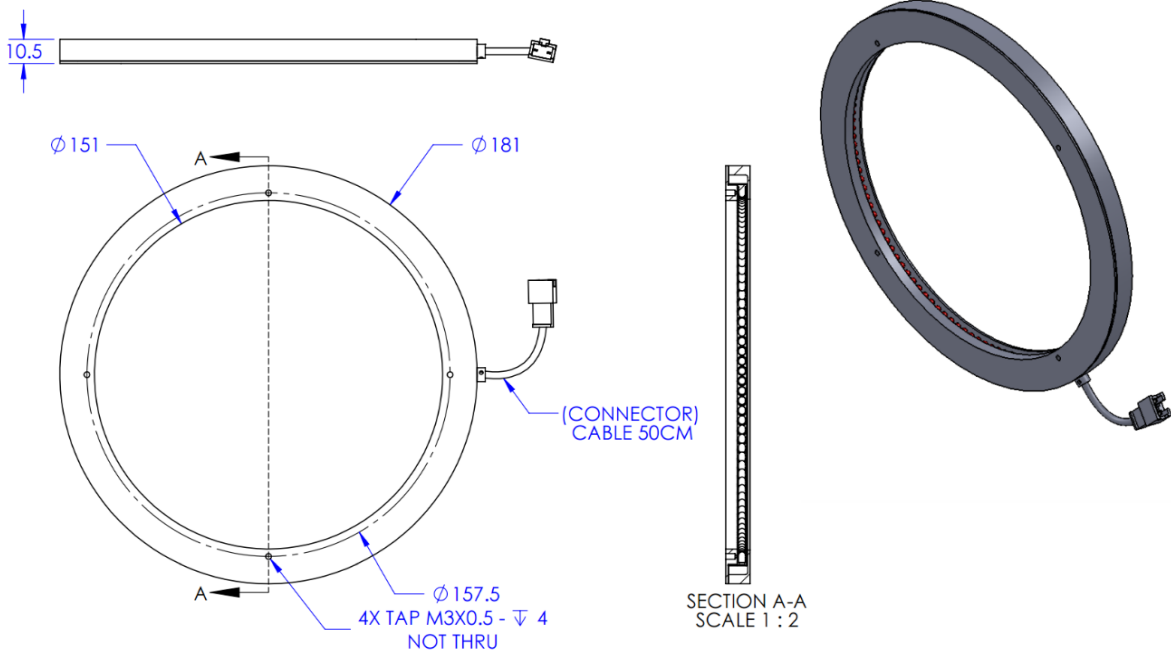


OPTO ENGINEERING

# ILLUMINATOR DATA

## LTZZ0180-90-1-W-24V

### Lighting Dimension



### Mechanical Information

Casing Material	Aluminium
Storage Temperature Range	0 - 45°C
Storage Humidity Range	20 - 85%
Weight	180g
Length / Outer Diameter	181mm
Width / Inner Diameter	151mm
Thickness / Height	10.5mm



OPTO ENGINEERING

# ILLUMINATOR DATA

## LTZZO180-90-1-W-24V

Lighting Information																								
Part Number	LTZZO180-90-1-W-24V																							
LED Color	WHITE																							
Wavelength	REFER TO CHROMACITY TABLE																							
Working Distance	22 mm	27 mm	32 mm																					
Intensity (±15%)	9300lx	10130lx	9330lx																					
Illumination (number of row)	1																							
Illumination Active Area	Active Length / Outer Dia.		152 mm																					
	Active Width / Inner Dia.		151 mm																					
Emission angle	0																							
Eye Safety Class ( IEC62471 )	EXEMPT																							
Chromaticity Table For White colour only	<table border="1"><tbody><tr><td>X</td><td>0.296</td><td>0.287</td><td>0.307</td><td>0.311</td><td>X</td><td>0.311</td><td>0.307</td><td>0.33</td><td>0.33</td></tr><tr><td>Y</td><td>0.276</td><td>0.295</td><td>0.315</td><td>0.294</td><td>Y</td><td>0.294</td><td>0.315</td><td>0.339</td><td>0.318</td></tr></tbody></table>				X	0.296	0.287	0.307	0.311	X	0.311	0.307	0.33	0.33	Y	0.276	0.295	0.315	0.294	Y	0.294	0.315	0.339	0.318
X	0.296	0.287	0.307	0.311	X	0.311	0.307	0.33	0.33															
Y	0.276	0.295	0.315	0.294	Y	0.294	0.315	0.339	0.318															

Electrical Information	
Rated Constant Voltage	24V±2%
Rated Constant Current	255mA
Power Consumption	6.12W
Casing temperature, After 60 minutes operation	42.4 °C

Strobe Mode Specification	
*Normal Strobe Voltage	24 V
*Normal Strobe Current	255mA
Overdrive Voltage Range	Min: 36V   Max: 48V
Overdrive Current Range	Min: 1.7A   Max: 1.7 A
Recommended Overdrive Voltage	36V
**Max. Trigger Pulse Duration	10 msec
**Max. Duty Cycle	10%

\*Normal strobe means the lighting is operated using the rated power. Overdrive means the power supplied to the lighting exceeded the rated power.

\*\*Overdrive condition must not exceed the max. trigger pulse duration and max. duty cycle.

# ILLUMINATOR DATA

## LTZZ0180-90-1-W-24V

Connection Information			
Connector Type (Default)	JST SMR-03V		
Cable Length	50 cm		
Pin Configuration  	Pin	Signal	Cable Colour
	1	LED +	Red
	2	N.C	-
	3	LED -	White
			

Additional Information	
Additional Cooling Method	Attached to machine part for better heat dissipation
Intensity Controller Selection	SD, ST, ANG, LC, SDA, SDP series
CE Conformity	YES
RoHS Compliance	YES

Application	
Illumination Type	Direct Illumination
Application Use	Edge Detection, Scratched On Metal or Glossy Surface



OPTO ENGINEERING

# ILLUMINATOR DATA

## LTZZ0180-90-1-W-24V

Lighting Pattern				
Working Distance	27mm			
Display and Image				
Data Results	Horizontal	Meas.(mm)	Vertical	Meas.(mm)
	90%	30	90%	29
	80%	41	80%	42
	70%	51	70%	52
	60%	62	60%	61
	50%	73	50%	72
	40%	83	40%	81
	30%	96	30%	94
	20%	117	20%	113
	10%	160	10%	156
Max	Meas.(cd/m2)			
	2061.024			